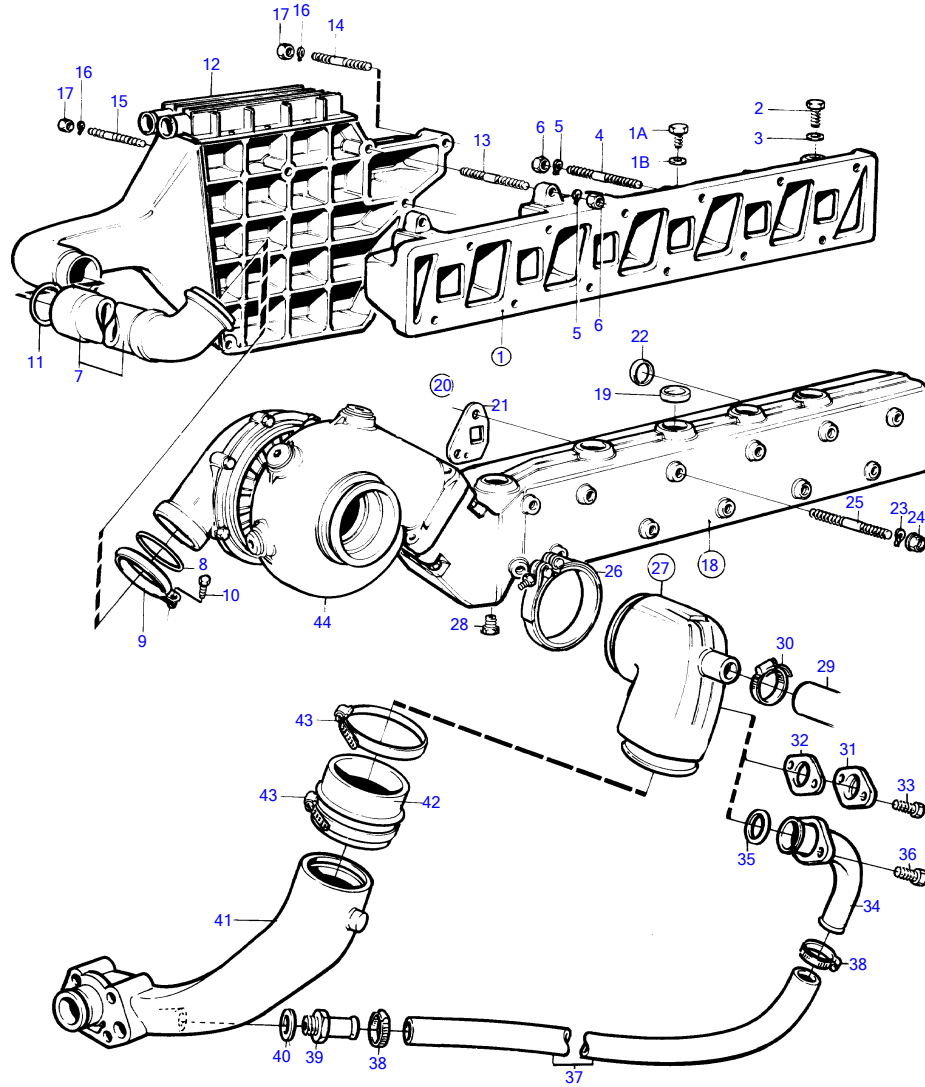


KAD42A



11454

## KAD42A

| REF | PART NO. | QTY | DESCRIPTION                               | SEE SEC. | NOTES                       |
|-----|----------|-----|---|----------|-----------------------------|
| 1   | 859300   | 1   | Inlet pipe                                |          |                             |
| 1A  | 960634   | 4   | • Plug                                    |          |                             |
| 1B  | 947627   | 4   | • Gasket                                  |          |                             |
| 2   | 960632   | 1   | Plug                                      |          |                             |
| 3   | 947624   | 1   | Gasket                                    |          |                             |
| 4   | 924068   | 8   | Stud                                      |          | L=50mm                      |
|     | 17942    | 2   | Stud                                      |          | L=110mm                     |
| 5   | 941907   | 10  | Spring washer                             |          | Early type                  |
| 6   | 945408   | 10  | Flange nut                                |          |                             |
| 7   | 838693   | 1   | Connection pipe                           |          |                             |
| 8   | 967944   | 1   | O-ring                                    |          |                             |
| 9   | 838864   | 1   | V-band clamp                              |          |                             |
| 10  | 947542   | 1   | Flange screw                              |          |                             |
| 11  | 471449   | 1   | O-ring                                    |          |                             |
| 12  |          | 1   | after cooler with installation components | 20707    |                             |
| 13  | 953049   | 2   | Stud                                      |          | L=50mm                      |
| 14  | 17942    | 1   | Stud                                      |          | L=110mm                     |
| 15  | 838854   | 1   | Stud                                      |          | L=185mm                     |
| 16  | 941907   | 4   | Spring washer                             |          |                             |
| 17  | 945408   | 4   | Flange nut                                |          |                             |
| 18  | 838687   | 1   | Exhaust pipe                              |          |                             |
| 19  | 946780   | 12  | • Cap plug                                |          |                             |
| 20  | 876144   | 3   | Gasket kit                                |          |                             |
| 21  | 838673   | 2   | • Gasket                                  |          |                             |
| 22  | 838766   | 1   | Sealing ring                              |          |                             |
| 23  | 941908   | 10  | Spring washer                             |          |                             |
| 24  | 971095   | 12  | Flange nut                                |          |                             |
| 25  | 953001   | 4   | Stud                                      |          | L=120mm                     |
|     | 953002   | 6   | Stud                                      |          | L=125mm alt                 |
|     | 953002   | 5   | Stud                                      |          | L=125mm alt                 |
|     | 953007   | 1   | Stud                                      |          | L=150mm alt                 |
|     | 953007   | 2   | Stud                                      |          | L=150mm alt                 |
|     | 17378    | 1   | Stud                                      |          | L=170mm                     |
| 26  | 842993   | 1   | V-band clamp                              |          |                             |
| 27  | 860656   | 1   | Riser                                     |          |                             |
| 28  | 192134   | 2   | Plug                                      |          |                             |
| 29  | 860406   | 1   | Hose                                      |          | Heat exchanger-exhaust bend |
| 30  | 943476   | 1   | Hose clamp                                |          |                             |
| 34  | 844258   | 1   | Coolant pipe                              |          |                             |
| 35  | 842913   | 1   | Sealing ring                              |          |                             |
| 36  | 946544   | 2   | Flange screw                              |          |                             |
| 37  | 944386   | X   | Rubber hose                               |          | L=720mm                     |
| 38  | 853548   | 2   | Hose clamp                                |          |                             |
| 39  | 872356   | 1   | Nipple                                    |          |                             |
| 40  | 958228   | 1   | O-ring                                    |          |                             |
| 41  | 854692   | 1   | Exhaust pipe                              |          | Grey, see group 4A          |
|     | 873114   | 1   | Exhaust pipe                              |          | Green, see group 4A         |
| 42  | 860396   | 1   | Exhaust hose                              |          |                             |
| 43  | 853013   | 4   | Hose clamp                                |          |                             |
| 44  |          | 1   | turbo with installation components        |          |                             |